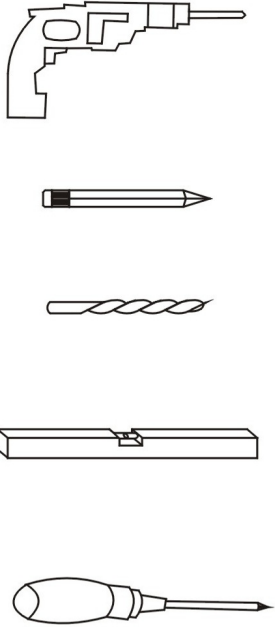
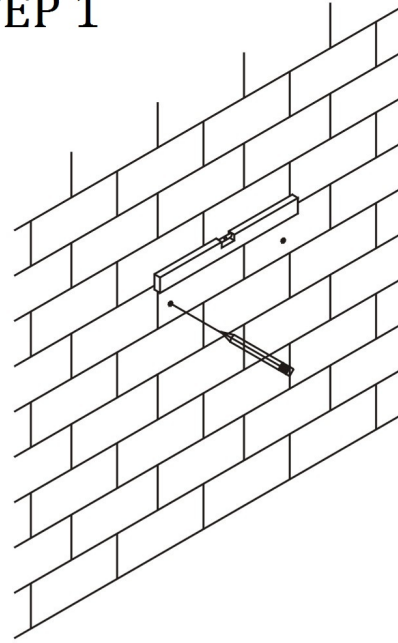


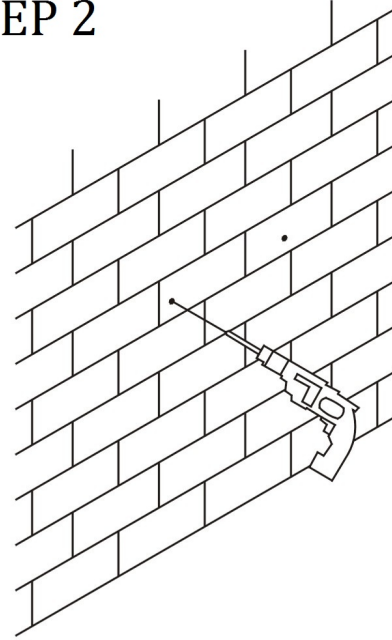
TOOLS



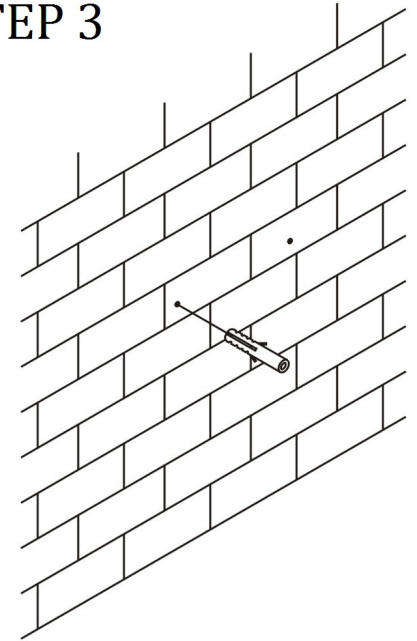
STEP 1



STEP 2



STEP 3



FIXINGS

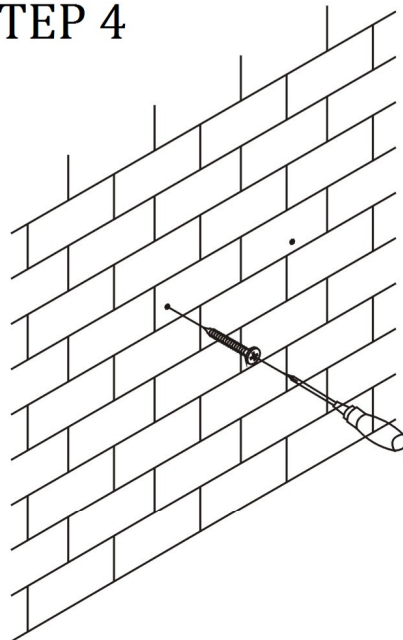


(for solid walls)

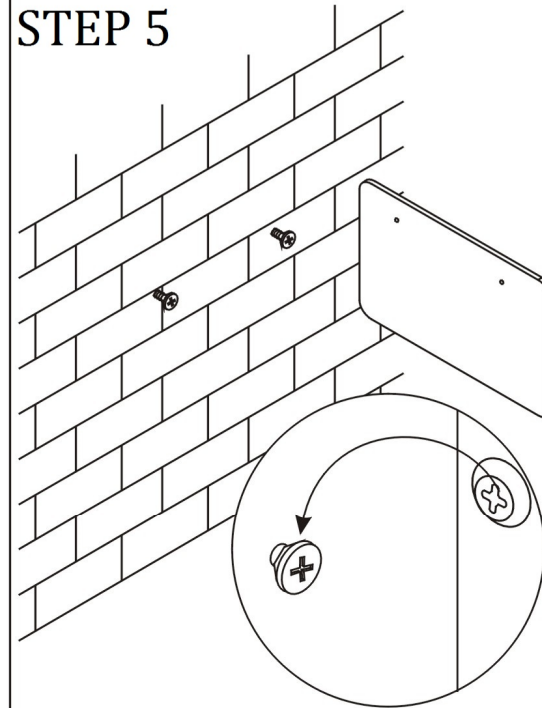


(for cavity walls)

STEP 4



STEP 5



STEP 6

